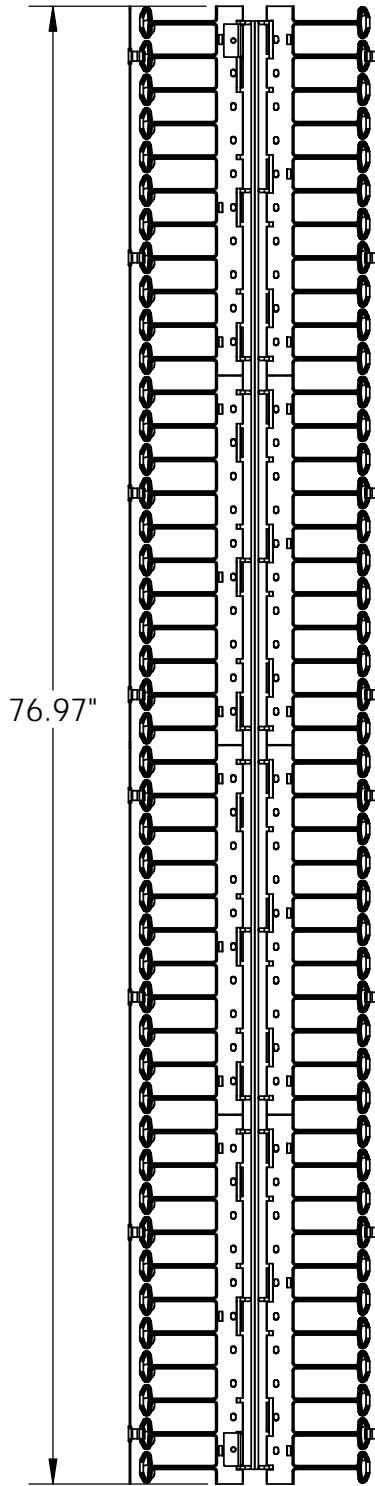
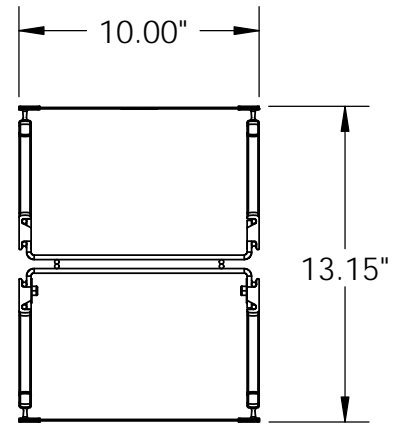


SPLIT DOOR SWINGS  
OPEN BOTH WAYS  
BOTH SIDES



76.97"



10.00"

13.15"

NOTE: MOUNTING HARDWARE  
INCLUDED

\*\*\* NOTICE \*\*\*  
THIS DOCUMENT CONTAINS CONFIDENTIAL  
AND/OR PROPRIETARY INFORMATION INTENDED  
FOR USE ONLY BY THE INDIVIDUAL(S) PROVIDED.  
NEITHER THIS DOCUMENT, NOR ANY  
INFORMATION CONTAINED HEREIN, MAY BE  
COPIED, DISTRIBUTED, DISCLOSED TO ANY THIRD  
PARTY OR USED IN ANY MANNER OTHER THAN  
FOR WHICH IT HAS BEEN PROVIDED, WITHOUT THE  
PRIOR WRITTEN CONSENT OF LEGRAND.  
MANUFACTURING RELEASE, PRODUCT  
SPECIFICATIONS AND STANDARDS ARE SUBJECT  
TO CHANGE WITHOUT NOTICE.



WWW.LEGRAND.US

TITLE

10" VERTICAL CABLE MANAGEMENT  
CAGE, DUAL VERSION

	NAME	DATE	SIZE	CAD FILE	DWG NO	REV
DWN	JQ	2/27/2013	A	DVMS710C	OR-DVMS710	02
CHK	JL	3/22/2013				
APPR	CV	3/22/2013	SCALE	1:20	WEIGHT	SHEET
						1 OF 1