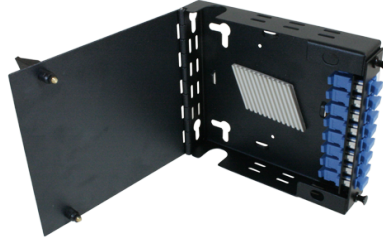


## Wall Mount Fiber Enclosure - 1 LGX Slot



This indoor wall mounted splice enclosure offers a compact solution to the end user. This enclosure has been designed to accept up to 1 LGX style fiber adapter panel.

With the ability to use a full array of adapter types this enclosure offers a flexible solution to the end user, enabling them to incorporate a multi functional enclosure that allows easy access during installation or rework with no disturbance of the existing cable or fibers.

In the addition to the array of adapters the enclosure also offers multiple cable entry solutions, fiber cable can be spliced or pre terminated solutions, making this enclosure one of the most flexible on the market.

### FEATURES/BENEFITS

- Up to 1 LGX components
- Wall mountable
- Includes fusion splice holder
- Multiple fixing points
- Hinged door
- Accepts loose tube and distribution cable
- RoHS, REACH SvHC

### APPLICATIONS

- Data centers, premise installations, telecommunication networks
- Ethernet, Fiber Channel, ATM, LAN, MAN and WAN
- Data communication and telecommunication networks
- Indoor applications

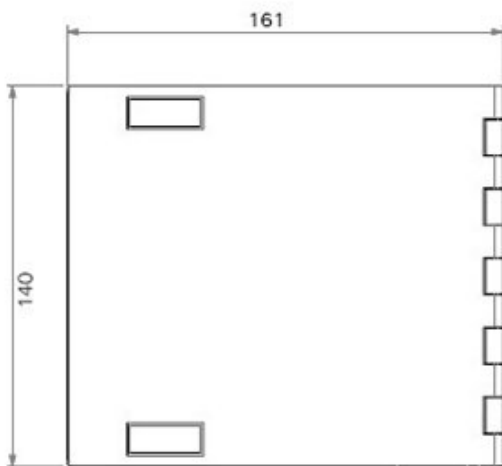
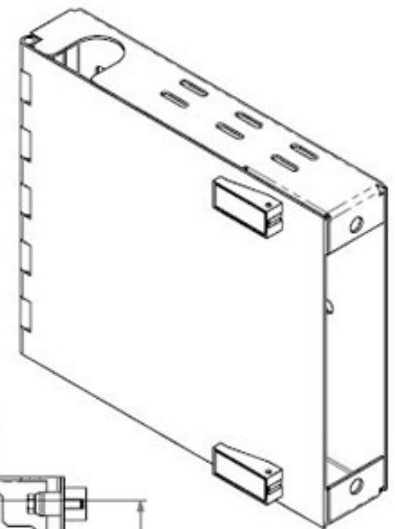
SPECIFICATIONS

1 SLOT WALL BOX

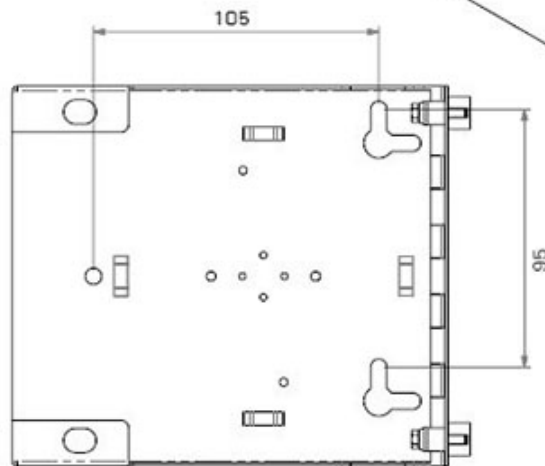
Height	140mm
Width	161mm
Depth	32mm
Net weight	0.6kg
Packaged weight	0.7kg
Packaged dimensions	180mm (W) x 180mm (L) x 55mm (H)
Suitable for Adaptor type	LGX / MTP Cassettes
Number of module positions	1
Material	Cold- rolled steel
Material thickness	1.2mm
Material finish	Powder coating
Colour	RAL 9004
Operating temperature	-40°C to +60°C
Designed in accordance with	TIA/EIA 568.C, ISO/IEC 11801, EN50173, IEC60304, IEC61754,
Compliant to	RoHS, Reach/SVHC

TECHNICAL DRAWING

Bottom View



Closed Front View



Opened Front View

All dimensions in mm