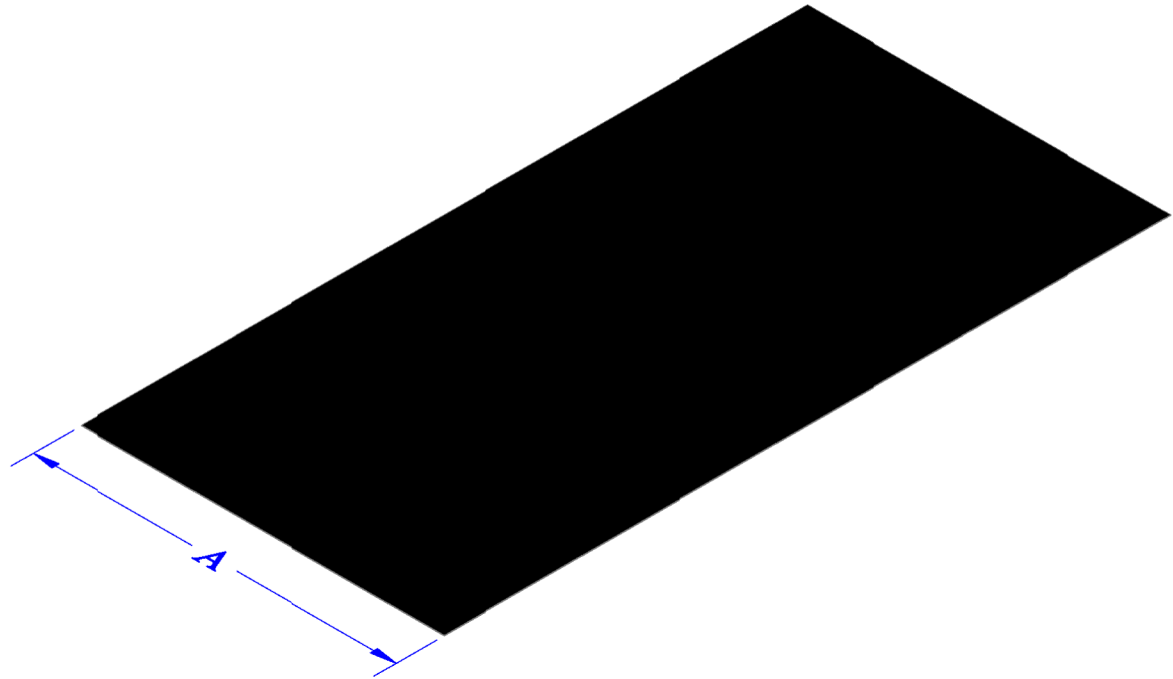
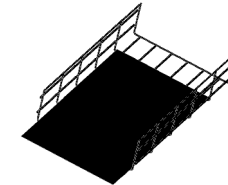


FORM CUT CHART

Tray Width	Cut Width = A
4	3.6250
6	5.6250
8	7.6250
10	9.6250
12	11.6250
14	13.6250
16	15.6250
18	17.6250
20	19.6250
22	21.6250
24	23.6250




NOTE: Adjustment to width may vary depending on the tolerance in which the tray was formed. The Width will always be .375" less than the center to center dimension of the formed tray walls. Dimension provided in the table are in lieu of a tray formed at the exact width shown.



General Notes:

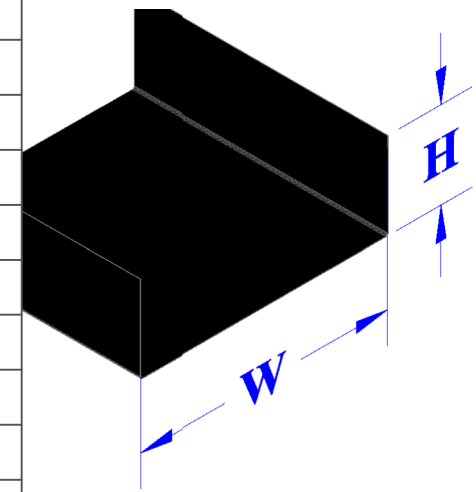
- 1) UL 94V-0 Flame Class Rating.
- 2) RoHS Compliant.
- 3) Non-hydroscopic (moisture absorption <0.1%).
- 4) Temperature range to 115°C / 239°F
- 5) Finish: Black or White.
- 6) Material Thickness = .017"

Run Lengths Available Up to 250' !

					This drawing in design and detail is the property of WBT, LLC. and must not be used except in connection with our work. All rights of design or invention are reserved.				
					PART # OR NAME			DRAWN BY	
WBT Form			RJM						
SIZE	DATE	SCALE	SHEET	REV					
A	1/28/16	Varies	1 OF 1	N/A					

WBT-Form W/ Sides HxWx(up to 250')		TRAY HEIGHT = H * = Special Order Tray Sizes					
		2	4	6	8*	10*	12*
TRAY WIDTH =W	x4	2x3.63	4x3.63	6x3.63	N/A	N/A	N/A
	x6	2x5.63	4x5.63	6x5.63	N/A	N/A	N/A
	x8	2x7.63	4x7.63	5.94x7.63	8x7.63	N/A	N/A
	x10	2x9.63	4x9.63	5.94x9.63	7.94x9.63	9.94x9.63	N/A
	x12	2x11.63	4x11.63	5.94x11.63	7.94x11.63	9.94x11.63	11.94x11.63
	x14	2x13.63	3.94x13.63	5.94x13.63	7.94x13.63	9.88x13.63	11.83x13.63
	x16	2x15.63	3.94x15.63	5.88x15.63	7.88x15.63	9.88x15.63	11.83x15.63
	x18	1.94x17.63	3.94x17.63	5.88x17.63	7.88x17.63	9.88x17.63	11.83x17.63
	x20	1.94x19.63	3.94x19.63	5.88x19.63	7.88x19.63	9.88x19.63	11.81x19.63
	x22	1.94x21.63	3.88x21.63	5.88x21.63	7.88x21.63	9.83x21.63	11.81x21.63
	x24	1.94x23.63	3.88x23.63	5.88x23.63	7.83x23.63	9.83x24.63	11.81x23.63

N/A =
Not Applicable



NOTE: Adjustment to width may vary depending on the tolerance in which the tray was formed. The Width will always be .375" less than the center to center dimension of the formed tray walls. Dimension provided in the table are in lieu of a tray formed at the exact width shown.

**(Hx2)+W=
Flat Cut Before Hem**

General Notes:

- 1) UL 94V-0 Flame Class Rating.
- 2) RoHS Compliant.
- 3) Non-hygroscopic (moisture absorption <0.1%).
- 4) Temperature range to 115°C / 239°F
- 5) Available in 250 ft. rolls for larger installations
- 6) Finish: Black or White.
- 7) Material Thickness = .017"

Run Lengths Available Up to 250' !



This drawing in design and detail is the property of WBT, LLC. and must not be used except in connection with our work. All rights of design or invention are reserved.

PART # OR NAME WBT Form w/ Sides			DRAWN BY RJM	
SIZE A	DATE 1/28/16	SCALE Varies	SHEET 1 OF 1	REV N/A